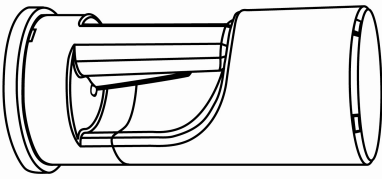


Z | e | v | r | o[®]



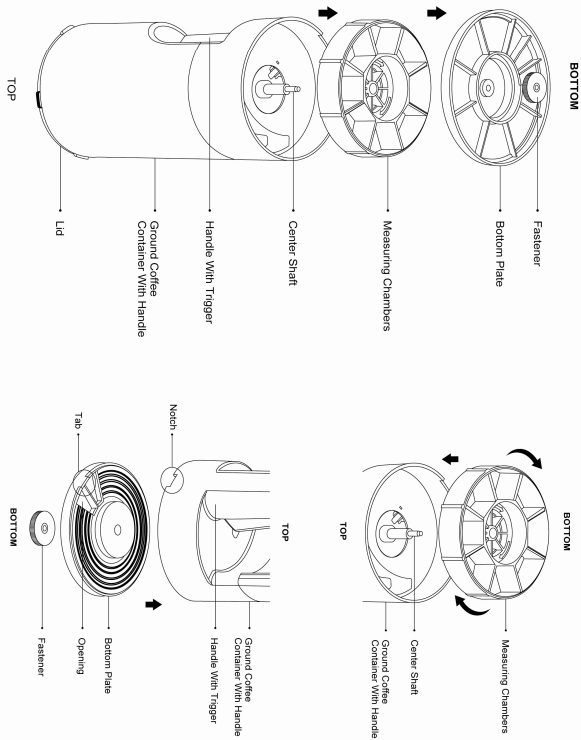
Indispensible[®]™ coffee dispenser
Instructions for MCD

Cleaning

1. Completely empty the ground coffee container of coffee.
2. Squeeze the handle until the measuring chambers are empty.
3. With the lid on, turn the Indispensible[®]™ coffee dispenser upside down. Remove the fastener, bottom plate and measuring chambers (see Diagram 1). To loosen the fastener, twist it counterclockwise.
4. The bottom plate, measuring chambers, lid and base are all dishwasher safe. Do not wash the ground coffee container with handle unit in a dishwasher. (The harsh dishwasher soap may cause the appearance of the container to deteriorate over time.) To preserve the appearance of the container, hand wash with warm, soapy water, and dry with a soft towel.

Reassembling

1. Turn the Indispensible[®]™ coffee dispenser upside down. Place the measuring chambers into the bottom of the container with handle unit. Then, following the arrows on the top of the measuring chambers, twist it clockwise until it settles into place (see Diagram 2).
2. Place the bottom plate in, and turn it so the opening in the plate is directly under the handle. The elevated tab on the top of the plate should fit into the notch on the bottom of the container with handle unit (see Diagram 3). To tighten and secure the fastener, twist it clockwise.



WARRANTY

This product will be free from defects in material and workmanship for 90 days from the date of its original purchase. If such a defect appears during the warranty, we will repair or replace your product without charge. Simply return the product, postage prepaid, along with the original dated receipt to:

Zero
 3720 W. Touhy Avenue
 Skokie, IL 60076
 USA

Z | e | v | r | o[®]

3720 W. Touhy Avenue
 Skokie, IL 60076
 USA
 www.zero.com

800.313.8888 (toll free)
 847.676.0124 (phone)
 847.676.0124 (fax)
 info@zero.com

MADE IN CHINA

PATENT PENDING